

# LumEfficient



## GC204

### HIGH BAY LIGHTING

WATTAGE AND CCT SELECTABLE LED LUMINAIRE

#### Benefits

- Superior heat dissipation
- 3-Watt selectable wattage in a single fixture
- Multiple CCT options in a single fixture
- 135 lumens per watt
- Low UGR
- 0-10V dimming
- Optional PIR, microwave or bluetooth sensor
- Optional emergency driver
- 7-year warranty



#### Application Areas

- Workshop
- Warehouse
- Exhibition Hall
- Stadium
- Airport
- Railway
- Station
- Supermarket



#### Compliance



**IP65 NEMA 4X**



#### OUR SERVICES

Site Evaluation

Application Consulting

Installation Support

LumEfficient

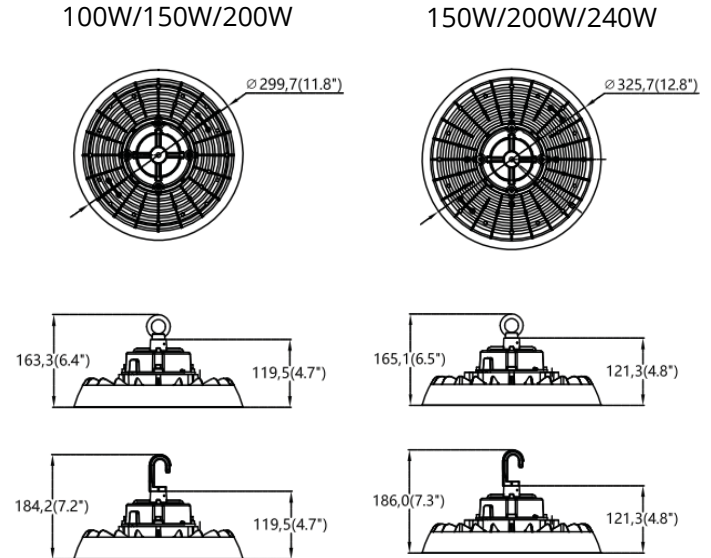
INFO@LUMEFFICIENT.COM / WWW.LUMEFFICIENT.COM

SUBJECT TO CHANGE  
v.2408

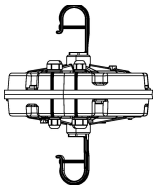
## FEATURES

Input Voltage	AC120-277V
Surge Protection	100W/150W/200W: 4kV 200W: 10kV
Lighting Efficiency	>0.9
Color Rendering Index	Ra>80
Operating Temperature	-40°C to +45°C
Life Span	≥50,000H
Lamp Shell	White
Dimming	0-10V
Emergency Driver	40W max, 90 minutes

## DIMENSIONS (mm)



## EMERGENCY DRIVER



### Dimensions

L20SxW205xH110 mm  
L 8.1 'x W 8.1 'x H 4.3'

SPECIFICATIONS	GC204-100W	GC204-150W	GC204-200W	GC204-240W
Input Wattage	100W	150W	200W	240W
Initial Lumens	13,500	20,250	27,000	32,400
Lumens Per Watt	135	135	135	135
Lumen Maintenance	50,000	50,000	50,000	50,000
CRI	>80	>80	>80	>80
CCT (K)	3500K/4000K/5000K/	3500K/4000K/5000K/	3500K/4000K/5000K/	3500K/4000K/5000K/
Weight	4.63 lbs	4.63/5.51 lbs	5.51 lbs	5.51 lbs

## ORDERING OPTIONS

**Sample Order Code: GC204-200W-550-APC-W-PCD-HK-V1-D1**

Family	Wattage	Adjustability	Light Beam	Lens Type	Mounting	Voltage	Control
GC204-200W	100W/150W/200W	(APC) Adjustable Power and CCT	(W) 110°	(PCD) Diffused	(HK) Hook	(V1) 120-277	(D1) 1-10V Dimming
GC204-240W	150W/200W/240W						(D2) PIR Sensor
							(D3) Microwave Sensor