

HZL0100 SERIES

HAZARDOUS LOCATION HIGH BAY LIGHTING

FEATURING LIGHT EMITTING DIODE (LED)

Benefits

- High Efficiency of 140 lumens per watt
- Suitable for wet locations, IP66
- Corrosion resistant, static resistant finish
- Robust die cast housing for industrial environments
- Operation up to +50 °C ambient environment
- Lifetime of 50,000 hours
- 7-year warranty
- 6kv surge protection

Application Areas

- Hazardous Locations
- Oil and Gas Facilities
- Chemical Processing Facilities

Compliance

- Designed for UL844 Class I, Division 2 for Hazardous Location
- Atex II 2 G Ex db IIC T6 Gb
- Corrosion Proof WF2
- CNEX, CE, RoHS



IP66



OUR SERVICES

Site Evaluation

Application Consulting

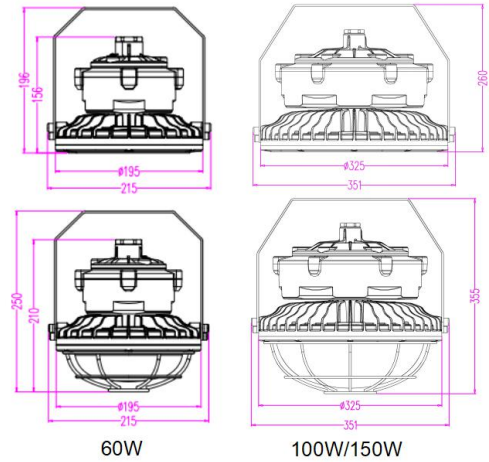
Installation Support

HZL0100 SERIES HAZARDOUS LOCATION HIGH BAY LIGHTING

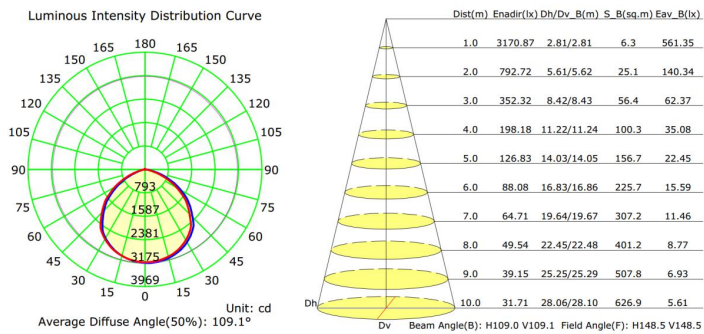
FEATURES

Input Voltage	120 - 277V, optional 480V for 150W only
Frequency	50/60HZ
Power Factor	> 0.9
Operating Temperature	-40°C to +50°C
Mounting	Pipe or Bracket
Housing	Die cast aluminum
Finish	Corrosion Grade Coating

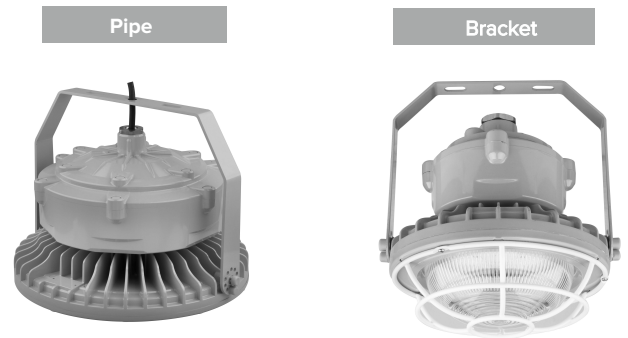
DIMENSIONS [mm]



PHOTOMETRICS



MOUNTING OPTIONS



SPECIFICATIONS	30W	60W	100W	150W
Initial Lumens	4,200	8,400	14,000	21,000
Lumens Per Watt	140	140	140	140
Lamp Life	50,000 hrs	50,000 hrs	50,000 hrs	50,000 hrs
CRI	> 80	> 80	> 80	> 80
CCT (K)	4,000K/5,000K	4,000K/5,000K	4,000K/5,000K	4,000K/5,000K

ORDERING OPTIONS

Sample Order Code: HZL0100-100W-5-120-V1-0-B

Family	Wattage	Color Temperature	Beam Angle	Voltage	Control	Mounting
HZL0100	30W		(60) 60°	(V1) 120-277V	(0) None	(P) Pipe
	60W	(4) 4,000K	(90) 90°	(V2) 277-480V (150W only)		(B) Bracket
	100W	(5) 5,000K	(120) 120°			
	150W					