

FL23 SERIES

FLOOD LIGHTING

FEATURING LIGHT EMITTING DIODE (LED)



Benefits

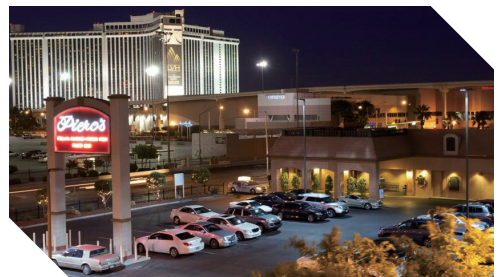
- Vertical 'chimney' thermal design
- Integral driver design
- 130 lumens per watt
- Suitable for wet locations, IP65
- Rugged construction for high vibration
- 7-year warranty

Application Areas

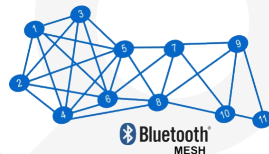
- Flood
- Industrial Area
- Heavy Equipment
- Parking Lot

Compliance

- UL1598A for marine grade environments
- 3G bridge and overpass vibration standards (per ANSI C136.31 – 2001)
- 10kV surge suppression in accordance to IEEE/ANSI C62.41.2



IP65



OUR SERVICES

Site Evaluation

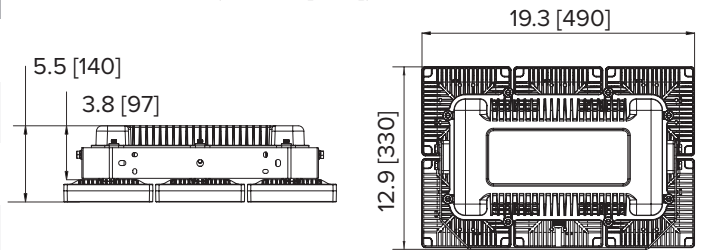
Application Consulting

Installation Support

FEATURES

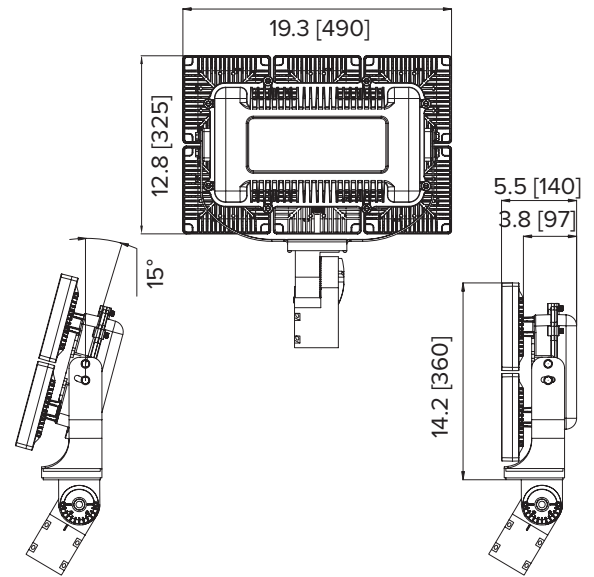
Input Voltage	120 - 277V (480VAC Option)
Power Factor	≥ 0.98
Total Harmonic Distortion (THD)	< 20%
Surge Protection	10kV suppression (IEEE/ ANSI C62.41.2)
Operating Temperature	-30°C to +50°C
Mounting	Hook / Pipe (Conduit) / Wall Mounting / Slip Fitter by Vertical / Square Slip Fitter
Housing	Extruded aluminum
Finish	Polyester powder coating

DIMENSIONS (inches [mm])

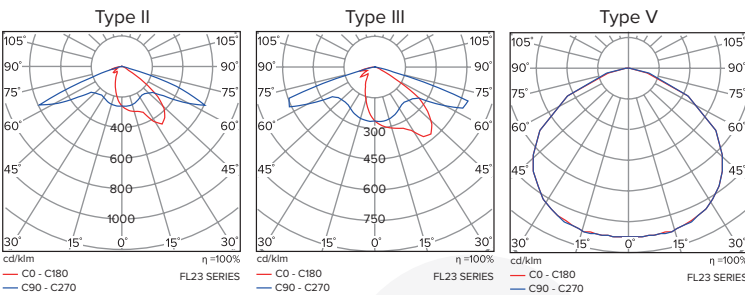


Mounting Options

SLIP FITTER BY VERTICAL MOUNTING DRAWING



OPTICS



SPECIFICATIONS	FL23-180W	FL23-240W	FL23-300W
Input Wattage	189W	252W	315W
Initial Lumens	24,570	32,760	40,950
Lumen Maintenance (L70)	50,000	50,000	50,000
CRI	≥ 75	≥ 75	≥ 75
CCT (K)	3,000K/ 4,000K 5,000K/ 5,700K	3,000K/ 4,000K 5,000K/ 5,700K	3,000K/ 4,000K 5,000K/ 5,700K
Weight	25.90lb (11.75kg)	25.90lb (11.75kg)	25.90lb (11.75kg)

ORDERING OPTIONS

Sample Order Code: **FL23-300W-P240-D0-PCC-WM**

Family	Wattage	Factory	Optics	Color Temp.	Control	Lens	Lens Type	Mounting
FL23	300W	P	(2) Type II (3) Type III (5) Type V	(30) 3,000K (40) 4,000K (50) 5,000K (57) 5,700K	(D0) No Dimming (D1) (0-10V) Dimming (D2) DALI Dimming (D4) Motion Sensor ON/ OFF (D5) Motion Sensor External	(GL) Glass	(C) Clear (D) Diffuse	(HK) Hook (PP) Pipe (Conduit) (WM) Wall Mounting (SFV) Slip Fitter by Vertical (SSF) Direct to Pole
	240W							
	180W							