



FLA SERIES

FLOOD AND AREA LIGHTING

FEATURING LIGHT EMITTING DIODE (LED)

Benefits

- 175 lumens per watt
- Smooth body with self-cleaning function
- Single-person installation
- Optional occupancy and photocell sensor
- Rotatable optics
- Back light control
- Multiple mounting options
- 7-year warranty



Application Areas

- Industrial areas
- Parking Lots
- Arenas



Compliance

- Dark Sky compliant
- Suitable for 3G applications per ANSI C136.31



IP66



OUR SERVICES

Site Evaluation

Application Consulting

Installation Support

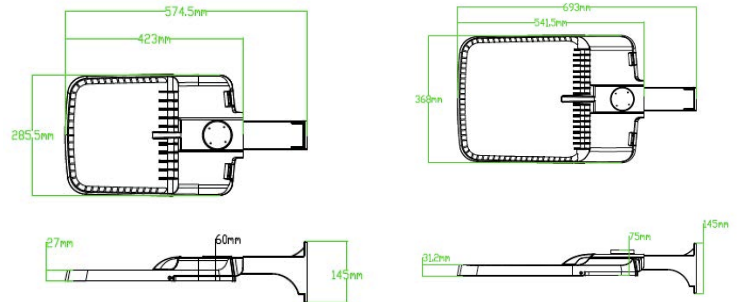
FLA SERIES

FLOOD LIGHTING

FEATURES

Input Voltage	100-277V, 200-480V (optional), 50-60 Hz
Power Factor	0.95+
L70	>180,000
CRI	75+
Operating Temperature	-40°C to +50°C
Mounting	Slip Fitter, Square Pole, Round Pole Arm, Trunnion
Housing/Lens	Anodized Aluminum Alloy/Glass
Color	Dark Bronze

DIMENSIONS

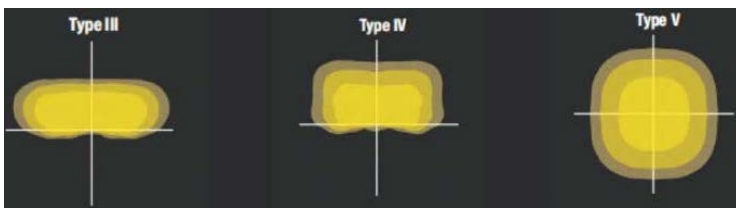


OPTIONAL OCCUPANCY & PHOTOCELL SENSORS

Dims to 0%, 10%, 25% or 50% for maximum energy savings.

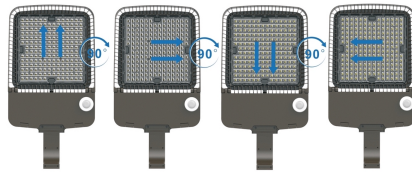


LIGHT DISTRIBUTION



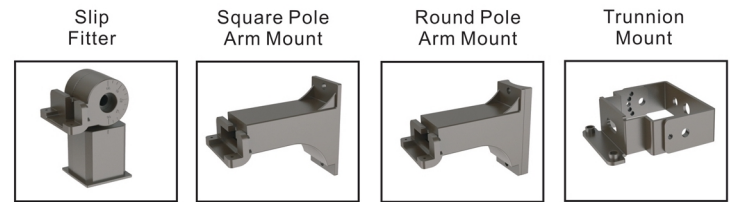
ROTATABLE OPTICS

Simply rotate the lens for different light distribution in different directions.



MOUNTING OPTIONS

Slide and lock functionality for convenient and safe installation.



SPECIFICATIONS	FLA-75W	FLA-100W	FLA-145W	FLA-200WF	FLA-230W	FLA-300W
Input Wattage	75W	100W	145W	200W	230W	300W
Initial Lumens	13,125	17,500	25,375	35,000	40,250	52,500
Lumen Maintenance (L70)	50,000	50,000	50,000	50,000	50,000	50,000
CRI	75+	75+	75+	75+	75+	75+
CCT (K)	3000K/4000K/5000K	3000K/4000K/5000K	3000K/4000K/5000K	3000K/4000K/5000K	3000K/4000K/5000K	3000K/4000K/5000K
Weight	7.9 lb/3.6 kg	7.9 lb/3.6 kg	8.6 lb/3.9 kg	12.1 lb/5.5 kg	14.3 lb/6.5 kg	14.3 lb/6.5 kg

ORDERING OPTIONS

Sample Order Code: **FLA-300W-T5-SF-50-V1-0**

FAMILY	WATTAGE	OPTICS	MOUNTING TYPE	COLOR TEMPERATURE	VOLTAGE	CONTROLS
FLA	75W	(T3) Type III	(SP) Square Pole Arm Mount	(30) 3000K	(V1) 100-277V	(0) No Controls
	100W	(T4) Type IV	(RP) Round Pole Arm Mount	(40) 4000K	(V2) 200-480V	(PC3) Photosensor 3-Pin
	145W		(SF) Slip Fitter	(50) 5000K		(PC5) Photocontrol 5-Pin
	200W	(T5) Type V	(TM) Trunnion Mount		(PC7) Photocontrol 7-Pin	(MS) PIR Motion Sensor
	230W					
	300W					