

LumEfficient
Resilient LED

GC301 SERIES HIGH BAY LIGHTING

FEATURING LIGHT EMITTING DIODE (LED)



Benefits

- Vertical 'chimney' thermal design
- Integral driver design
- Built-in junction box
- 125 lumens per watt
- Integral 20kV surge protection
- Optional 0-10V dimming function
- 7-year warranty

Application Areas

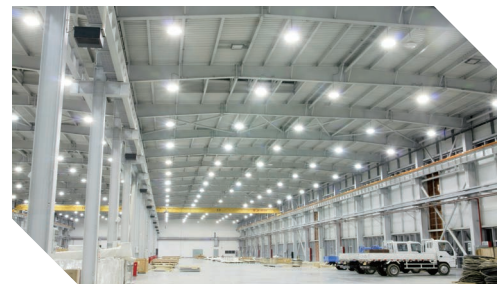
- Stadium
- Workshop
- Warehouse
- Exhibition Hall
- Airport
- Railway Station
- Supermarket

Compliance

- UL 1598 for industrial environments
- 3G bridge and overpass vibration standards (per ANSI C136.31-2001 pending)
- 10kV surge suppression in accordance to IEEE/ANSI C62.41.2



IP65



OUR SERVICES

Site Evaluation

Application Consulting

Installation Support

LumEfficient
Resilient LED

INFO@LUMEFFICIENT.COM / WWW.LUMEFFICIENT.COM

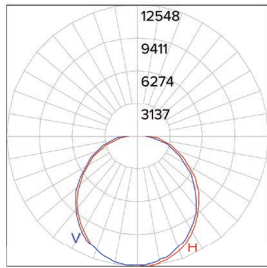
SUBJECT TO CHANGE
v.2303

FEATURES

Input Voltage	120 - 277V
Power Factor	≥ 0.98
Total Harmonic Distortion (THD)	< 20 %
Surge Protection	20kV suppression (IEEE/ ANSI C62.41.2)
Operating Temperature	200W: -30°C to +65°C 250W/300W: -30°C to +50°C
Mounting	Pipe (Conduit) / Hook
Housing	Cold forging aluminum
Finish	Corrosion resistant polyester powder coating in gray

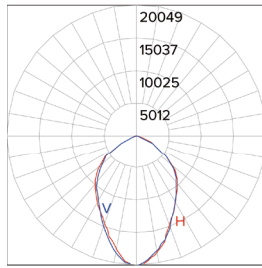
OPTICS

300W-TYPE V (Wide Beam 120)



Maximum Candela = 12547.51
Located At Horizontal Angle = 5 Vertical Angle = 0
H - Horizontal Axial Candela
V - Vertical Axial Candela

300W-TYPE III (Medium Beam 90)

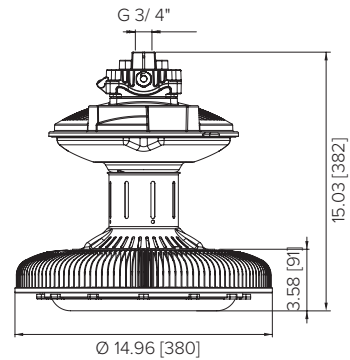


Maximum Candela = 20049.08
Located At Horizontal Angle = 0, Vertical Angle = 0
H - Horizontal Axial Candela
V - Vertical Axial Candela

DIMENSIONS (inches [mm])

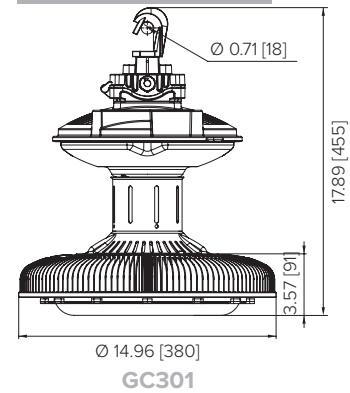
* Complete installation drawings are available upon request.

Pipe Installation



GC301

Installation



GC301

SPECIFICATIONS	GC301-200W	GC301-250W	GC301-300W
Input Wattage	213W	263W	321W
Initial Lumens	26,996	33,132	40,224
Lumens Per Watt	127	12	125
Lumen Maintenance (L70)	50,000	50,000	50,000
CRI	≥ 80	≥ 80	≥ 80
CCT (K)	4,000K/ 5,000K	4,000K/ 5,000K	4,000K/ 5,000K
Weight	8.5 kg	8.5 kg	8.5 kg

ORDERING OPTIONS

Sample Order Code: GC301-300W-P550-D1-PCC-HK-W

Family	Wattage	Chips	Optics	Color Temp.	Control	Lens	Lens Type	Mounting	Light Beam	Options
GC301	300W	P	(5) Type V	(40) 4,000K	(D1) 0-10V Dimming (D2) Motion Sensor: On/Off (D3) Motion Sensor: Dimming with Daylight Harvesting (D4) Motion Sensor: Dimming with Daylight Harvesting and Remote Programmer	(PC) PC	(C) Clear (D) Diffuse	(HK) Hook (PP) Pipe	(W) 120°	(C6) 6ft Cord (C12) 12ft Cord (Lxxxx) LX-XX NEMA Twistlock Plug (WGC) Wire Guard and Cable (EB) Emergency Back-Up Battery (480) 347-480V Power Supply (REF) 19" PC Reflector
	(50) 5,000K			(M) 90°						
	200W			(N) 60°						