

LumEfficient

HBL1000 SERIES

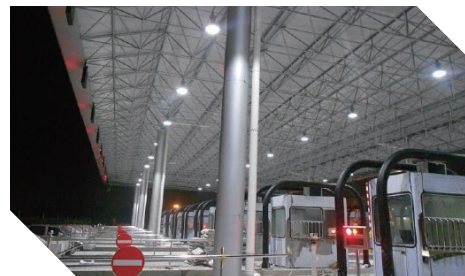
HIGH BAY LIGHTING

FEATURING LIGHT EMITTING DIODE (LED)



Benefits

- 115 lumens per watt
- Up to 57,500 lumens
- Compact lightweight thermal design
- Suitable for wet locations, IP65
- Integral 6kV surge protection
- 7-year warranty



Application Areas

- High Bay
- Super High Bay
- Industrial Areas
- Storage & Warehouse Locations



Compliance

- Designed for UL 1598 for industrial grade environments
- 3G bridge and overpass vibration standards (per ANSI C136.31-2001 pending)
- 6kV surge suppression in accordance to IEEE/ANSI C62.41.2



IP65

OUR SERVICES

Site Evaluation

Application Consulting

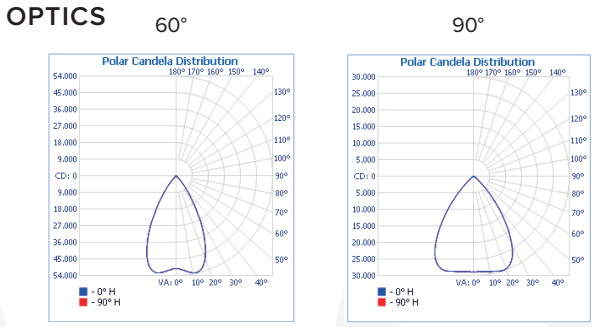
Installation Support

LumEfficient

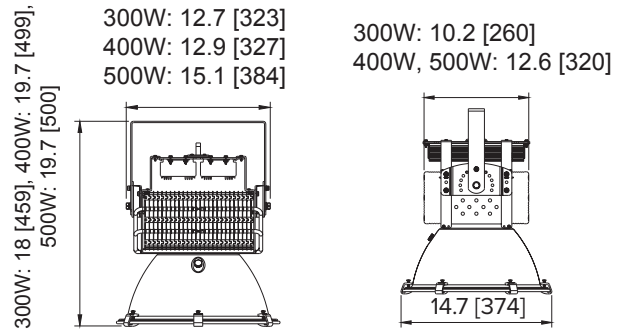
INFO@LUMEFFICIENT.COM / WWW.LUMEFFICIENT.COM

SUBJECT TO CHANGE
v.1908

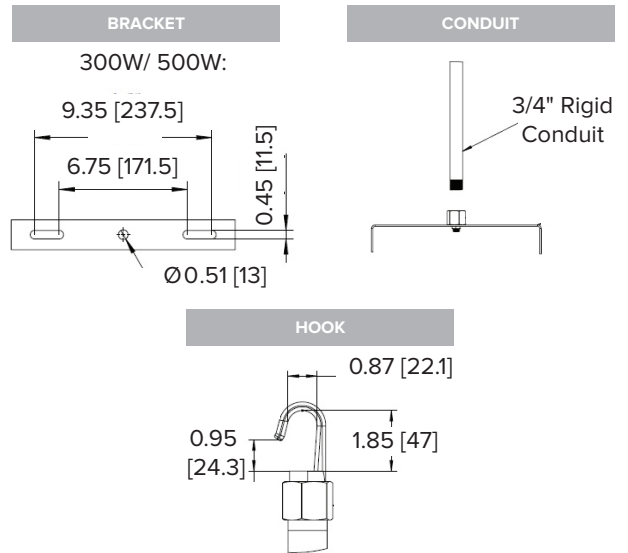
FEATURES	
Input Voltage	120 - 277V
DC Voltage	31V (500W), 33V (300W)
Power Factor	≥ 0.98
Total Harmonic Distortion (THD)	< 20%
Frequency	50/60Hz
Surge Protection	6kV suppression (IEEE/ ANSI C62.41.2)
Operating Temperature	-40°C ~ +60°C
Mounting	Bracket, Hook, Conduit
Housing	Extruded aluminum
Finish	Polyester powder coating



DIMENSIONS (inches [mm])



Mounting Options



SPECIFICATIONS	300W	400W	500W
Initial Lumens	34,500	46,000	57,500
Input wattage	300	400	500
Lumens Per Watt	115	115	115
Lumen Maintenance (L70)	50,000	50,000	50,000
CRI	≥ 70	≥ 70	≥ 70
CCT (K)	4,000 - 5,000	4,000 - 5,000	4,000 - 5,000
Weight	25.3lb (11.5kg)	26.5lb (12kg)	28.2lb (12.8kg)

ORDERING OPTIONS Sample Order Code: **HBL1000-500W-5-60-V1-0-Y**

Model Name	Wattage	Color Temperature	Beam Angle	Voltage	Control	Mounting	Options
HBL1000	300W	(4) 4,000K	(60) 60°	(V1) 120-277V	(0) None	(Y) Bracket (H) Hook (C) Conduit (S) Slip Fitter	(C6) 6ft Cord (C12) 12ft Cord (Lxxxx) LX-XX NEMA Twistlock Plug (SC) Safety Cable
HBL1000	400W	(5) 5,000K	(90) 90°	(V2) 480V			
HBL1000	500W						

*Other wattages available as custom order.

INFO@LUMEFFICIENT.COM / WWW.LUMEFFICIENT.COM