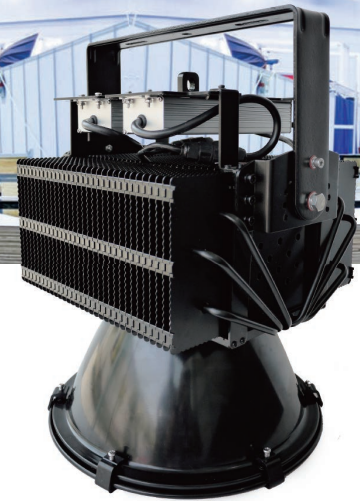


LumEfficient  
Resilient LED

## HBL1000 SERIES

### HIGH BAY LIGHTING

FEATURING LIGHT EMITTING DIODE (LED)



#### Benefits

- 115 lumens per watt
- Up to 56,500 lumens
- Compact lightweight thermal design
- Suitable for wet locations, IP65
- Integral 6kV surge protection
- 7-year warranty

#### Application Areas

- High Bay
- Super High Bay
- Industrial Areas
- Storage & Warehouse Locations

#### Compliance

- Designed for UL 1598 for industrial grade environments
- 3G bridge and overpass vibration standards (per ANSI C136.31-2001 pending)
- 6kV surge suppression in accordance to IEEE/ANSI C62.41.2



**IP65**

#### OUR SERVICES

Site Evaluation

Application Consulting

Installation Support

LumEfficient  
Resilient LED

INFO@LUMEFFICIENT.COM / WWW.LUMEFFICIENT.COM

SUBJECT TO CHANGE  
v. 1705

# HBL1000 SERIES

# HIGH BAY LIGHTING

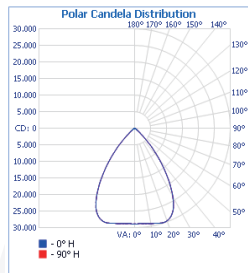
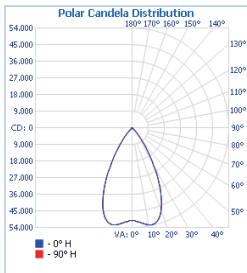
## FEATURES

<b>Input Voltage</b>	120 - 277V
<b>DC Voltage</b>	31V (500W), 33V (300W)
<b>Power Factor</b>	≥ 0.98
<b>Total Harmonic Distortion (THD)</b>	< 20%
<b>Frequency</b>	50/60Hz
<b>Surge Protection</b>	6kV suppression (IEEE/ ANSI C62.41.2)
<b>Operating Temperature</b>	-40°C ~ +60°C
<b>Mounting</b>	Bracket, Hook, Conduit
<b>Housing</b>	Extruded aluminum
<b>Finish</b>	Polyester powder coating

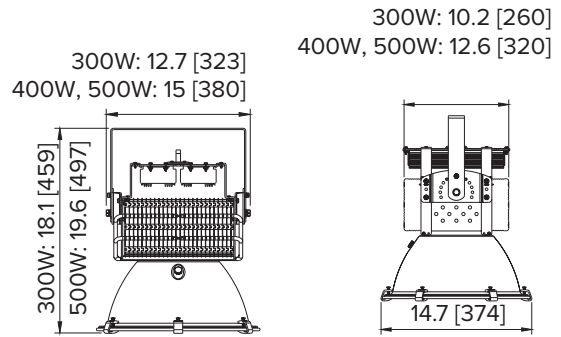
## OPTICS

60°

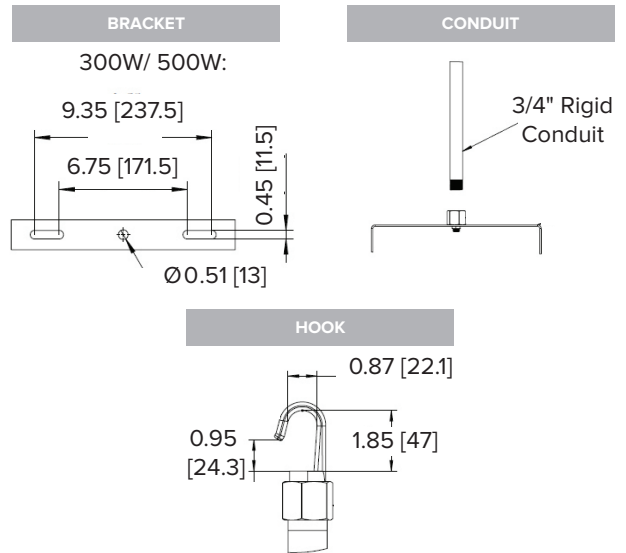
90°



## DIMENSIONS (inches [mm])



## Mounting Options



SPECIFICATIONS	300W	400W	500W
<b>Initial Lumens</b>	<b>34,500</b>	<b>46,000</b>	<b>56,500</b>
<b>Input wattage</b>	<b>300</b>	<b>400</b>	<b>500</b>
<b>Lumens Per Watt</b>	<b>115</b>	<b>115</b>	<b>113</b>
<b>Lumen Maintenance (L70)</b>	<b>50,000</b>	<b>50,000</b>	<b>50,000</b>
<b>CRI</b>	<b>≥ 70</b>	<b>≥ 70</b>	<b>≥ 70</b>
<b>CCT (K)</b>	<b>4,000 - 5,000</b>	<b>4,000 - 5,000</b>	<b>4,000 - 5,000</b>
<b>Weight</b>	<b>25.3lb (11.5kg)</b>	<b>26.5lb (12kg)</b>	<b>28.2lb (12.8kg)</b>

## ORDERING OPTIONS

**Sample Order Code:** HBL1000-500W-5-60-V1-0-Y

Model Name	Wattage	Color Temperature	Beam Angle	Voltage	Control	Mounting	Options
HBL1000	300W	(4) 4,000K	(60) 60°	(V1) 120-277V	(0) None	(Y) Bracket (H) Hook (C) Conduit (S) Slip Fitter	(C6) 6ft Cord (C12) 12ft Cord (Lxxxx) LX-XX NEMA Twistlock Plug (SC) Safety Cable
HBL1000	400W	(5) 5,000K	(90) 90°	(V2) 480V			
HBL1000	500W						