

## FL23 SERIES

### FLOOD LIGHTING

FEATURING LIGHT EMITTING DIODE (LED)



#### Benefits

- Vertical 'chimney' thermal design
- Integral driver design
- 130 lumens per watt
- Suitable for wet locations, IP65
- Rugged construction for high vibration
- 7-year warranty

#### Application Areas

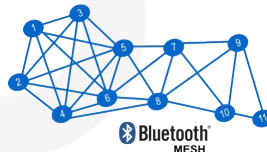
- Flood
- Industrial Area
- Heavy Equipment
- Parking Lot

#### Compliance

- UL1598A for marine grade environments
- 3G bridge and overpass vibration standards (per ANSI C136.31 – 2001)
- 10kV surge suppression in accordance to IEEE/ANSI C62.41.2



IP65



#### OUR SERVICES

Site Evaluation

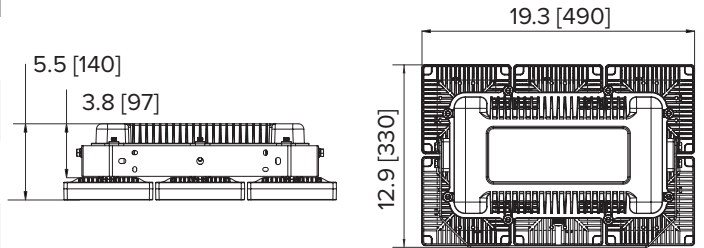
Application Consulting

Installation Support

## FEATURES

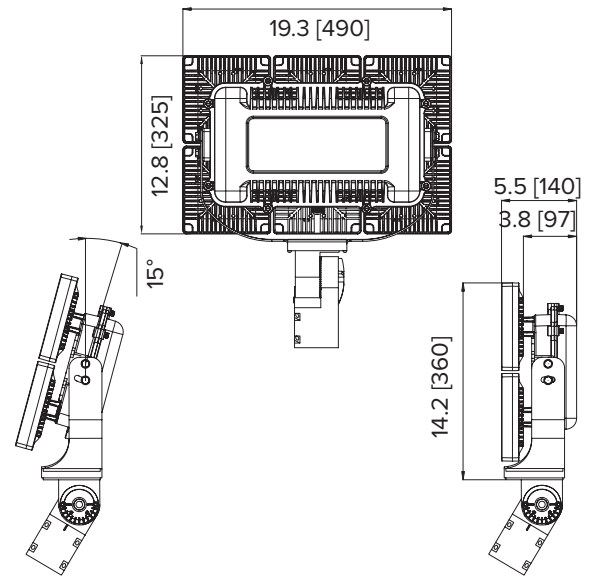
<b>Input Voltage</b>	120 - 277V (480VAC Option)
<b>Power Factor</b>	≥ 0.98
<b>Total Harmonic Distortion (THD)</b>	< 20%
<b>Surge Protection</b>	10kV suppression (IEEE/ ANSI C62.41.2)
<b>Operating Temperature</b>	-30°C to +50°C
<b>Mounting</b>	Hook / Pipe (Conduit) / Wall Mounting / Slip Fitter by Vertical / Square Slip Fitter
<b>Housing</b>	Extruded aluminum
<b>Finish</b>	Polyester powder coating

## DIMENSIONS (inches [mm])

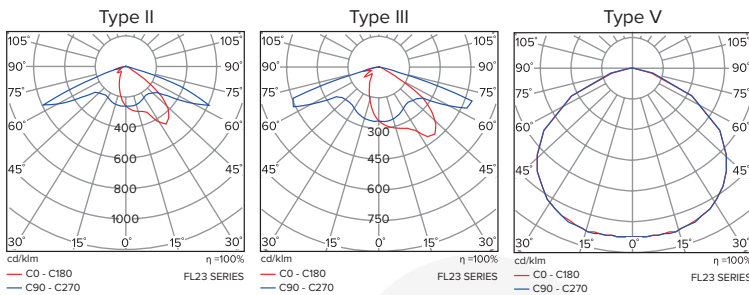


## Mounting Options

### SLIP FITTER BY VERTICAL MOUNTING DRAWING



## OPTICS



## SPECIFICATIONS

	FL23-180W	FL23-240W	FL23-300W
<b>Input Wattage</b>	189W	252W	315W
<b>Initial Lumens</b>	24,570	32,760	40,950
<b>Lumen Maintenance (L70)</b>	50,000	50,000	50,000
<b>CRI</b>	≥ 75	≥ 75	≥ 75
<b>CCT (K)</b>	3,000K/ 4,000K 5,000K/ 5,700K	3,000K/ 4,000K 5,000K/ 5,700K	3,000K/ 4,000K 5,000K/ 5,700K
<b>Weight</b>	25.90lb (11.75kg)	25.90lb (11.75kg)	25.90lb (11.75kg)

## ORDERING OPTIONS

Sample Order Code: **FL23-300W-P240-D0-PCC-WM**

Family	Wattage	Factory	Optics	Color Temp.	Control	Lens	Lens Type	Mounting
FL23	300W	P	(2) Type II (3) Type III (5) Type V	(30) 3,000K (40) 4,000K (50) 5,000K (57) 5,700K	(D0) No Dimming (D1) (0-10V) Dimming (D2) DALI Dimming (D4) Motion Sensor ON/ OFF (D5) Motion Sensor External	(GL) Glass	(C) Clear (D) Diffuse	(HK) Hook (PP) Pipe (Conduit) (WM) Wall Mounting (SFV) Slip Fitter by Vertical (SSF) Direct to Pole
	240W							
	180W							