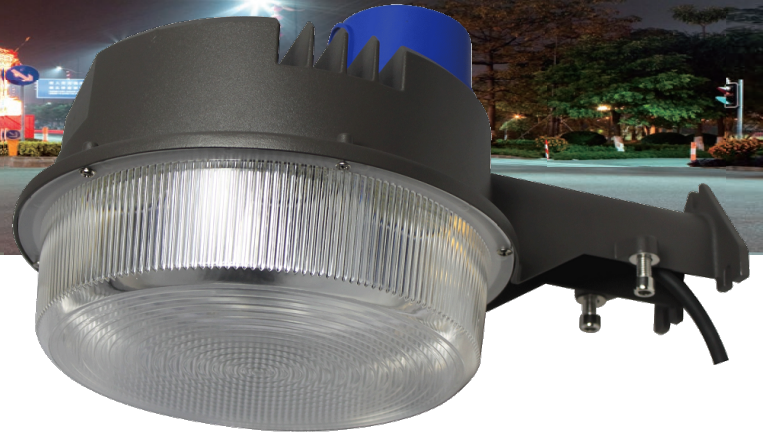


LumEfficient
Resilient LED



DDE Series

AREA LIGHTING

FEATURING LIGHT EMITTING DIODE (LED)

Benefits

- 120 Lumens Per Watt
- IP65 rating
- Available with photocell
- Available with PC diffused lens for minimal glare
- 5-year warranty



Application Areas

- Roadway
- Security
- Dusk to Dawn
- Area Lighting



Compliance

- Qualified with ETL
- UL Certified LED Driver



IP65

OUR SERVICES

Site Evaluation

Application Consulting

Installation Support

LumEfficient
Resilient LED

INFO@LUMEFFICIENT.COM / WWW.LUMEFFICIENT.COM

SUBJECT TO CHANGE
v. 1811z

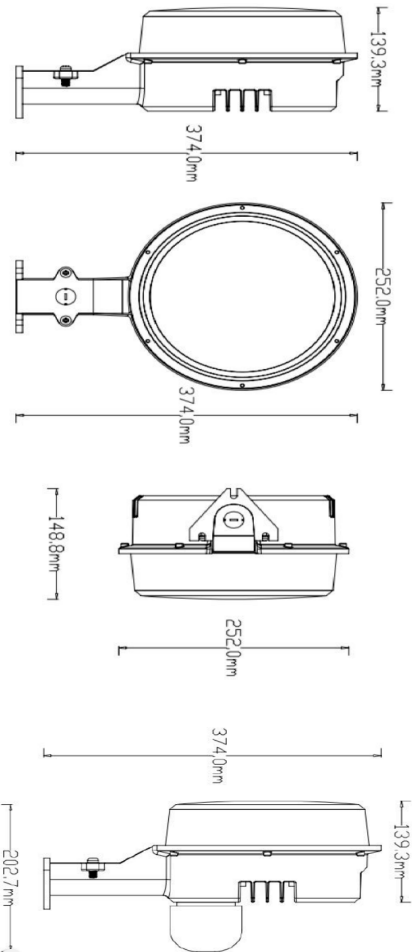
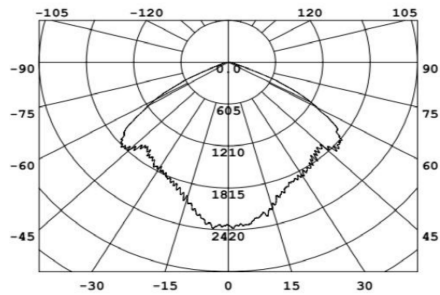
DDE SERIES

AREA LIGHTING

FEATURES

Input Voltage	100 - 277V (50/60 Hz)
Power Factor	> 0.98
Mounting	Direct-to-Wall Optional Pole Mount
Operating Temperature	-30°C to +40°C
Housing	Die cast aluminum
Finish	UV resistant powder coating
Color	Bronze

OPTICS



SPECIFICATIONS

	50W
Initial Lumens	6000
Lumens Per Watt	120
Lumen Maintenance (L70)	50,000
Total Current at 120V (A)	0.46
CRI	>75
CCT (K)	5,000K
Weight	5lb (2.25kg)

ORDERING OPTIONS

Sample Order Code: DDE0100-T5-V1-P-D-50

Family	Optics	Voltage	Control	Mounting	Wattage
DDE0100	(5) Type V	(V1) 110-277V	(P) Photocell and Receptacle	(D) Direct-to-wall (P) Pole	(50) 50W