

LZE SERIES

HAZARDOUS LOCATION LIGHTING

FEATURING LIGHT EMITTING DIODE (LED)



Benefits

- High quality aviation aluminum housing and impact-resistant PC Lens for maximum efficacy with minimum glare
- Elegant design with robust structure
- Operation up to 65°C ambient environment
- Versatile mounting options, easy installation
- Available in 2-ft and 4-ft options
- High efficiency at 140 Lumens Per Watt
- 7-year warranty



Application Areas

- Hazardous Locations
- Industrial Facilities
- Explosion Proof of Areas



Compliance

- UL1598 for industrial grade environments
- UL844 for Hazardous Locations:
 - Class I, Division 2, Groups A, B, C and D
 - Class II, Division 2, Groups F and G
- 8KV Surge Protection in accordance with IEEE/ANSIC62.41.2
- UL8750, ATEX, CNEX, CE, RoHS



IP66



OUR SERVICES

Site Evaluation

Application Consulting

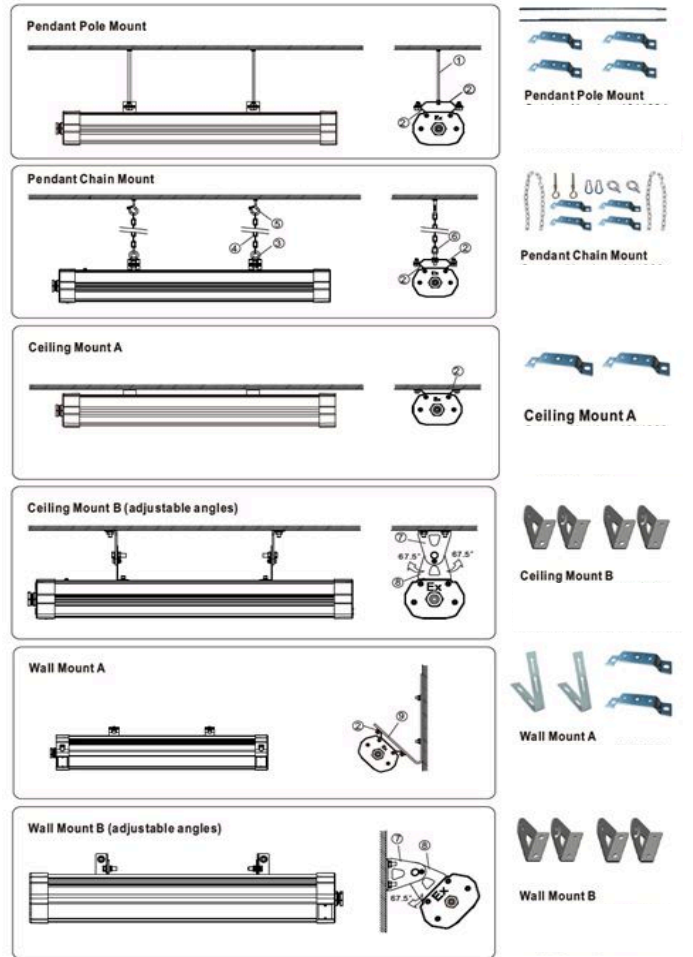
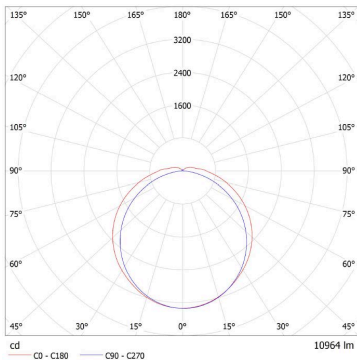
Installation Support

LZE SERIES

HAZARDOUS LOCATION LIGHTING

FEATURES	
Input Voltage	120 - 277V, 480V
Power Factor	> 0.95
Total Harmonic Distortion (THD)	< 15%
Surge Protection	8KV
Operating Temperature	-40°C to +65°C
Mounting	Pendant / Chain/ Ceiling/ Wall
Housing	High quality aviation aluminum housing
Lens	Impact-resistant clear PC lens
Emergency Battery	15W, 1-hour

OPTICS



SPECIFICATIONS	LZE0100 (2-Ft)	LZE0200 (4-Ft)
Input Wattage	36W	56W
Lumens per Watt	140	140
Initial Lumens	5,040	7,840
CRI	>70	>70
CCT (K)	3,000K/ 4,000K/ 5,000K	3,000K/ 4,000K/ 5,000K
Weight	4.4kg / 9.47lbs	6.8kg / 15lbs
Dimensions (LxWxH in)	24.33 x 4.96 x 3.65	50.43 x 4.96 x 3.65
Entrance Thread	NPT3/4"	NPT3/4"

ORDERING OPTIONS *Sample Order Code: LZE0100-36-4-70-180-V1-PCC-CA*

Family	Wattage	Color Temperature	CRI	Beam Angle	Voltage	Lens Type	Mounting
LZE0100	(36) 36W	(3) 3,000K (4) 4,000K	(70) 70	(180) 180°	(V1) 120-277V	(PCC) Clear	(PP) Pendant Pole (PC) Pendant Chain (CA) Ceiling A (CB) Ceiling B
LZE0200	(56) 56W	(5) 5,000K			(V2) 480V	(PCD) Diffused*	(WA) Wall A (WB) Wall B