

RESILIENT

TOUGH LIGHT

A LUMA BRAND

LFL SERIES

INDUSTRIAL LINEAR LIGHTING

FEATURING LIGHT EMITTING DIODE (LED)



Benefits

- High quality light (up to 90 CRI)
- Corrosion resistant marine grade finish
- Operation up to 55°C ambient environment
- Suitable for wet locations, IP66
- High pressure hose down up to 1500 PSI
- Available in 2-ft and 4-ft options
- Innovative watershed design to eliminate water pooling
- High efficiency over 100 Lumens Per Watt
- L70 rated to greater than 100,000 hours
- 7-year warranty



Application Areas

- Food and Beverage Processing Facilities
- Industrial Facilities
- Assembly and Inspection Lines



Compliance

- UL1598 Wet Location
- NSF Certified Food Equipment
- 4kV/kA surge suppression in accordance to IEEE/ ANSI C62.41.2
- LM80 data available upon request



IP66

OUR SERVICES

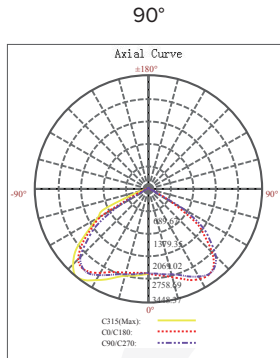
Site Evaluation

Application Consulting

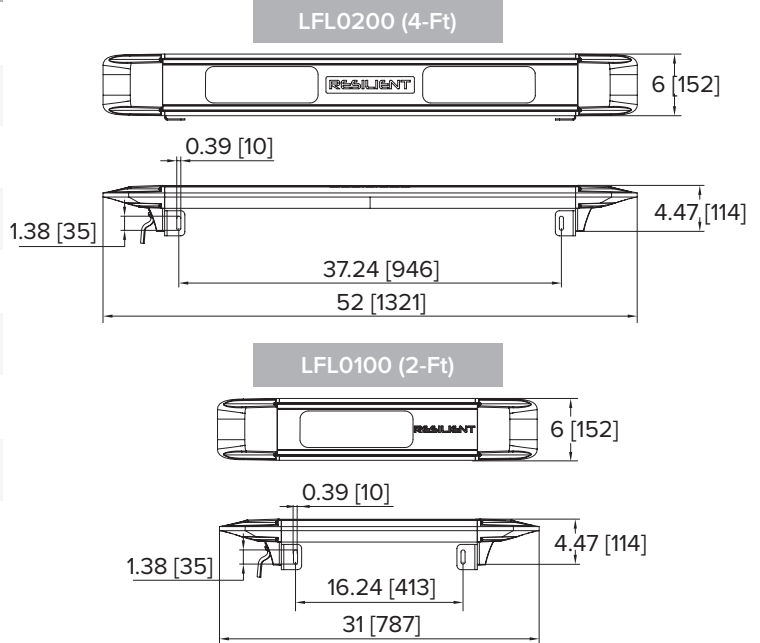
Installation Support

FEATURES	
Input Voltage	120 - 277V
Power Factor	> 0.90
Total Harmonic Distortion (THD)	< 20%
Surge Protection	4kV/ kA
Operating Temperature	-40°C to +55°C
Mounting	Bracket/ Cable
Housing	Aluminum extrusion
Finish	Marine-grade powder coating

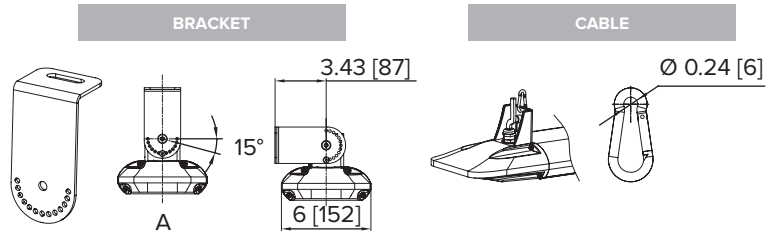
OPTICS



DIMENSIONS (inches [mm])



Mounting Options



SPECIFICATIONS	LFL0100 (2-Ft)	LFL0200 (4-Ft)
Input Wattage	50W	100W
Initial Lumens	5,000	10,000
Lumen Maintenance (L70)	100,000	100,000
CRI	70 / 90	70 / 90
CCT (K)	4,000K / 5,000K (70 CRI) 3,000K (90 CRI)	4,000K / 5,000K (70 CRI) 3,000K (90 CRI)
Weight	5kg	8kg

ORDERING OPTIONS

Sample Order Code: LFL0100-50-4-7-90-V1-0-B

Family	Wattage	Color Temperature	CRI	Beam Angle	Voltage	Control	Mounting
LFL0100	(50) 50W	(3) 3,000K (4) 4,000K/ (5) 5,000K	(9) 90 (7) 70	(90) 90°	(V1) 120-277V	(0) None	(B) Bracket (C) Cable
LFL0200	(A0) 100W	(3) 3,000K (4) 4,000K/ (5) 5,000K	(9) 90 (7) 70				