

LumEfficient  
Resilient LED

# GC301 SERIES HIGH BAY LIGHTING

FEATURING LIGHT EMITTING DIODE (LED)



## Benefits

- Vertical 'chimney' thermal design
- Integral driver design
- 125 lumens per watt
- Integral 10kV surge protection
- Optional 0-10V dimming function
- 7-year warranty

## Application Areas

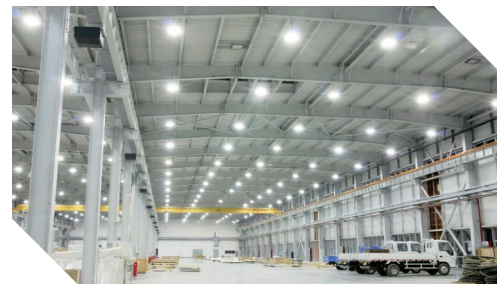
- Stadium
- Workshop
- Warehouse
- Exhibition Hall
- Airport
- Railway Station
- Supermarket

## Compliance

- UL 1598 for industrial environments
- 3G bridge and overpass vibration standards (per ANSI C136.31-2001 pending)
- 10kV surge suppression in accordance to IEEE/ANSI C62.41.2



**IP65**



## OUR SERVICES

Site Evaluation

Application Consulting

Installation Support

LumEfficient  
Resilient LED

INFO@LUMEFFICIENT.COM / WWW.LUMEFFICIENT.COM

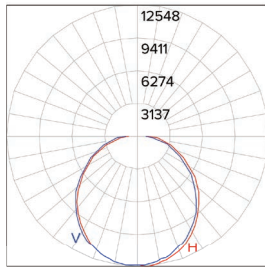
SUBJECT TO CHANGE  
v. 1705

## FEATURES

<b>Input Voltage</b>	120 - 277V
<b>Power Factor</b>	≥ 0.98
<b>Total Harmonic Distortion (THD)</b>	< 20 %
<b>Surge Protection</b>	10kV suppression (IEEE/ ANSI C62.41.2)
<b>Operating Temperature</b>	200W: -30°C to +65°C 250W/300W: -30°C to +50°C
<b>Mounting</b>	Pipe (Conduit) / Hook
<b>Housing</b>	Cold forging aluminum
<b>Finish</b>	Corrosion resistant polyester powder coating in gray

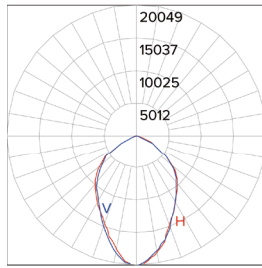
## OPTICS

**300W-TYPE V (Wide Beam 120)**



Maximum Candela = 12547.51  
Located At Horizontal Angle = 5 Vertical Angle = 0  
H - Horizontal Axial Candela  
V - Vertical Axial Candela

**300W-TYPE III (Medium Beam 90)**

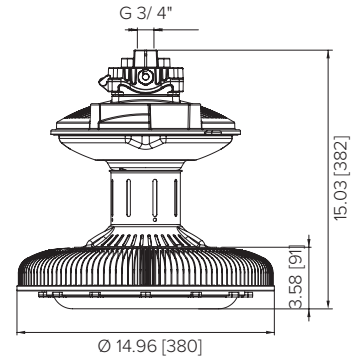


Maximum Candela = 20049.08  
Located At Horizontal Angle = 0, Vertical Angle = 0  
H - Horizontal Axial Candela  
V - Vertical Axial Candela

## DIMENSIONS (inches [mm])

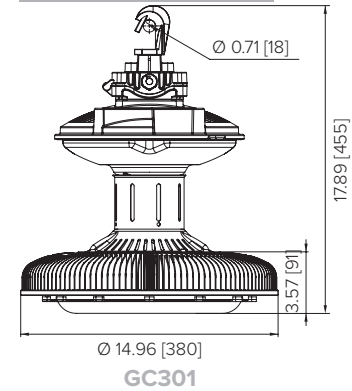
\* Complete installation drawings are available upon request.

### Pipe Installation



### GC301

### Installation



### GC301

SPECIFICATIONS	GC301-200W	GC301-250W	GC301-300W
<b>Input Wattage</b>	<b>208W</b>	<b>261W</b>	<b>321W</b>
<b>Initial Lumens</b>	<b>26,798</b>	<b>33,198</b>	<b>40,224</b>
<b>Lumens Per Watt</b>	<b>128</b>	<b>127</b>	<b>125</b>
<b>Lumen Maintenance (L70)</b>	<b>50,000</b>	<b>50,000</b>	<b>50,000</b>
<b>CRI</b>	<b>≥ 75</b>	<b>≥ 75</b>	<b>≥ 75</b>
<b>CCT (K)</b>	<b>4,000K/ 5,000K</b>	<b>4,000K/ 5,000K</b>	<b>4,000K/ 5,000K</b>
<b>Weight</b>	<b>8.5 kg</b>	<b>8.5 kg</b>	<b>8.5 kg</b>

## ORDERING OPTIONS

**Sample Order Code: GC301-300W-P540-D1-PCC-HK**

Family	Wattage	Chips	Optics	Color Temp.	Control	Lens	Lens Type	Mounting	Light Beam	Options
GC301	300W	P	(5) Type V	(40) 4,000K	(D1) 0-10V Dimming (D2) Motion Sensor: On/Off (D3) Motion Sensor: Dimming with Daylight Harvesting (D4) Motion Sensor: Dimming with Daylight Harvesting and Remote Programmer	(PC) PC	(C) Clear (D) Diffuse	(HK) Hook (PP) Pipe	(W) 120°	(C6) 6ft Cord (C12) 12ft Cord (Lxxxx) LX-XX NEMA Twistlock Plug (WGC) Wire Guard and Cable (EB) Emergency Back-Up Battery (480) 480V Power Supply
	(50) 5,000K			(M) 90°						
	200W			(N) 60°						