

## HZL0250 SERIES

### HAZARDOUS LOCATION HIGH BAY LIGHTING

FEATURING LIGHT EMITTING DIODE (LED)



#### Benefits

- High Efficiency over 105 lumens per watt
- Suitable for wet locations, IP66
- Corrosion resistant marine grade finish
- Robust die cast housing for industrial environments
- Operation up to +55 °C ambient environment
- L70 rated greater than 100,000 hours
- Integral 6kV surge protection
- 7-year warranty

#### Application Areas

- Hazardous Locations
- Oil and Gas Facilities
- Chemical Processing Facilities

#### Compliance

- Designed for UL1598A for marine environments, and UL844 Class I, Division 2 for Hazardous Location
- 3G bridge and overpass vibration standards (per ANSI C136.31 – 2001 pending)
- 6kV surge suppression in accordance to IEEE/ANSI C62.41.2
- LM80 data available upon request

#### IP66



#### OUR SERVICES

Site Evaluation

Application Consulting

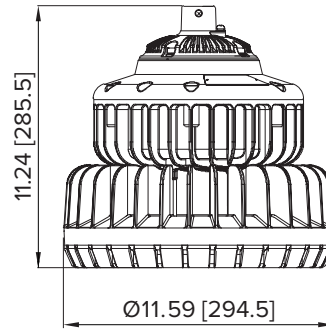
Installation Support

# HZL0250 SERIES

# HAZARDOUS LOCATION HIGH BAY LIGHTING

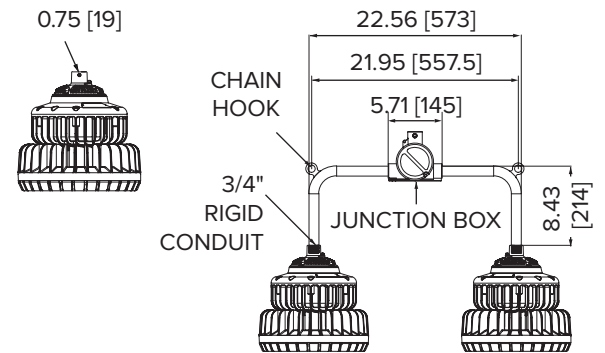
FEATURES	
Input Voltage	120 - 277V
Power Factor	≥ 0.98
Total Harmonic Distortion (THD)	< 20%
Surge Protection	6kV suppression (IEEE/ ANSI C62.41.2)
Operating Temperature	-40°C to +55°C
Mounting	3/4" NPT, Dual Bracket
Housing	Die cast aluminum
Finish	Polyester powder coating
Temperature Rating	T5 (100°C)

## DIMENSIONS (inches [mm])

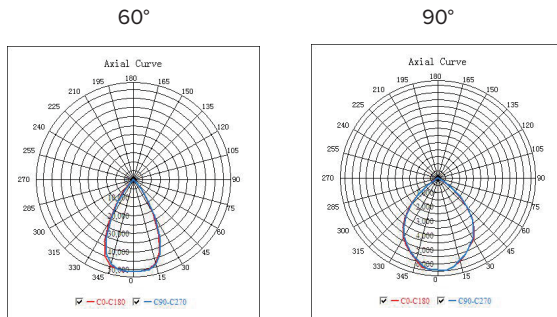


## Mounting Options

3/4" NPT	DUAL BRACKET
----------	--------------



## OPTICS



SPECIFICATIONS	100W	135W
Initial Lumens	10,500	14,500
Lumens Per Watt	105	107
Lumen Maintenance (L70)	100,000	100,000
CRI	≥ 70	≥ 70
CCT (K)	5,000	5,000
Weight	24.7lb (11.2kg)	25.4lb (11.5kg)

## ORDERING OPTIONS

Sample Order Code: HZL0250-A0-4-60-V1-0-D

Family	Wattage	Color Temperature	Beam Angle	Voltage	Control	Mounting
HZL0250	(A0) 100W	(4) 4,000K	(60) 60°	(V1) 120-277V	(0) None	(S) 3/4" NPT
	(A4) 135W	(5) 5,000K	(90) 90°			(D) Dual Bracket