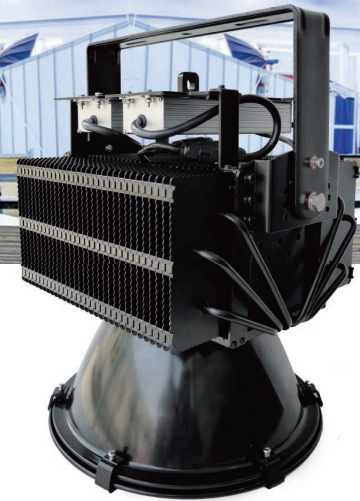


HBL1000 SERIES

HIGH BAY LIGHTING

FEATURING LIGHT EMITTING DIODE (LED)



Benefits

- 100 lumens per watt
- Up to 50,000 lumens
- Compact lightweight thermal design
- Suitable for wet locations, IP65
- 10kV surge protection
- 7-year warranty

Application Areas

- High Bay
- Super High Bay
- Industrial Areas
- Storage & Warehouse Locations

Compliance

- Designed for UL 1598 for industrial grade environments
- 3G bridge and overpass vibration standards (per ANSI C136.31-2001 pending)
- 10kV surge suppression in accordance to IEEE/ANSI C62.41.2



IP65

OUR SERVICES

Site Evaluation

Application Consulting

Installation Support

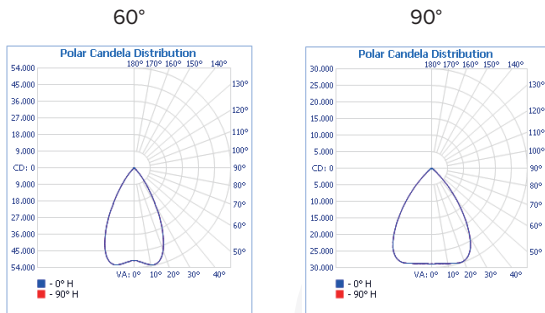
HBL1000 SERIES

HIGH BAY LIGHTING

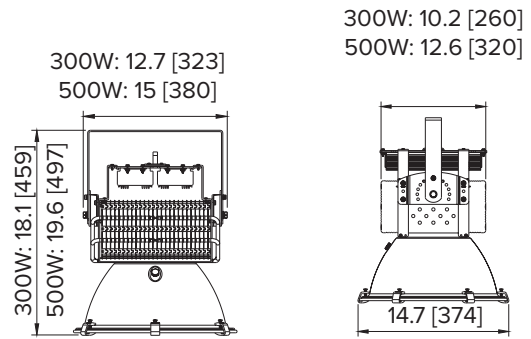
FEATURES

Input Voltage	120 - 277V
DC Voltage	31V (500W), 33V (300W)
Power Factor	≥ 0.98
Total Harmonic Distortion (THD)	< 20%
Surge Protection	10kV suppression (IEEE/ ANSI C62.41.2)
Operating Temperature	-40°C to +55°C
Mounting	Bracket, Hook, Conduit
Housing	Extruded aluminum
Finish	Polyester powder coating

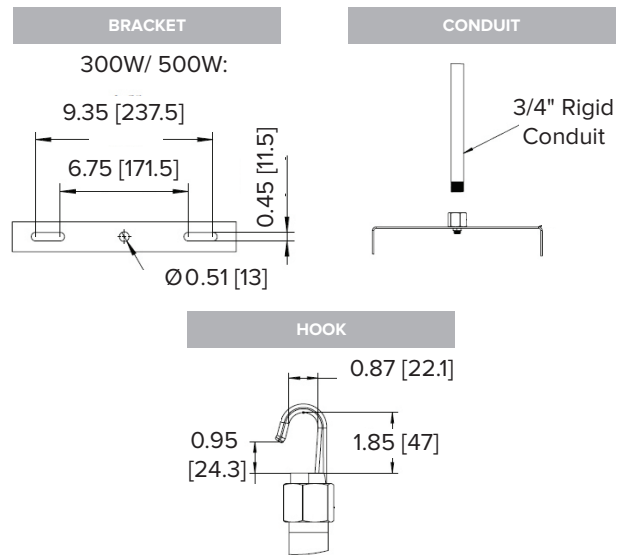
OPTICS



DIMENSIONS (inches [mm])



Mounting Options



SPECIFICATIONS	300W	500W
Initial Lumens	30,000	50,000
Input wattage	300	500
Lumens Per Watt	100	100
Lumen Maintenance (L70)	100,000	100,000
CRI	≥ 70	≥ 70
CCT (K)	3,000 - 5,000	3,000 - 5,000
Weight	25.3lb (11.5kg)	28.2lb (12.8kg)

ORDERING OPTIONS

Sample Order Code: HBL1000-B6-4-60-V1-0-Y

Model Name	Wattage	Color Temperature	Beam Angle	Voltage	Control	Mounting	Options
HBL1000-300W	(C0) 300W	(3) 3,000K (4) 4,000K	(60) 60° (90) 90°	(V1) 120-277V (V2) 480V	(0) None	(Y) Bracket (H) Hook (C) Conduit (S) Slip Fitter	(C6) 6ft Cord (C12) 12ft Cord (Lxxxx) LX-XX NEMA Twistlock Plug (SC) Safety Cable
HBL1000-500W	(E0) 500W	(5) 5,000K					