

GC201 SERIES HIGH BAY LIGHTING

FEATURING LIGHT EMITTING DIODE (LED)



Benefits

- Vertical 'chimney' thermal design
- Integral driver design
- 120 lumens per watt
- Integral 10kV surge protection
- Optional 0-10V dimming function
- 7-year warranty

Application Areas

- Stadium
- Workshop
- Warehouse
- Exhibition hall
- Airport
- Railway
- Station
- Supermarket

Compliance

- UL 1598 for industrial grade environments
- 3G bridge and overpass vibration standards (per ANSI C136.31-2001)
- 10kV surge suppression in accordance to IEEE/ANSI C62.41.2



IP65



OUR SERVICES

Site Evaluation

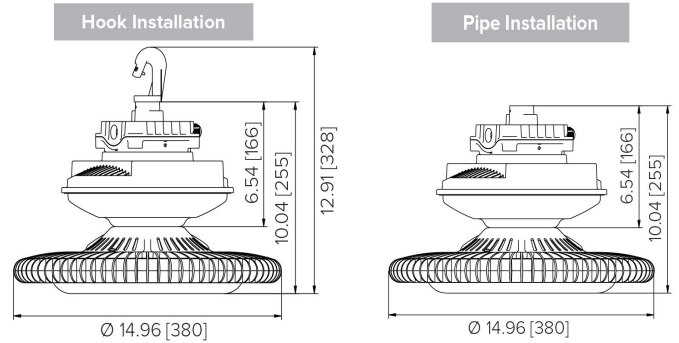
Application Consulting

Installation Support

FEATURES

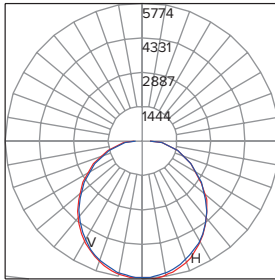
Input Voltage	120 - 277V (480VAC Option)
Power Factor	> 0.98
Total Harmonic Distortion (THD)	< 20 %
Surge Protection	10kV suppression (IEEE/ ANSI C62.41.2)
Operating Temperature	60W/ 80W/ 100W: -25°C to +55°C 120W/ 150W: -25°C to +50°C 180W/ 200W: -25°C to +45°C
Mounting	Pipe (Conduit) / Hook
Housing	Die cast aluminum
Finish	Polyester powder coating

DIMENSIONS (inches [mm])



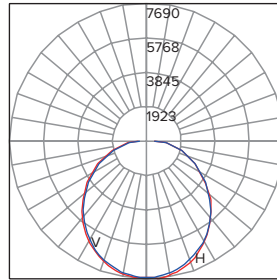
OPTICS

150W-TYPE V (Wide Beam)



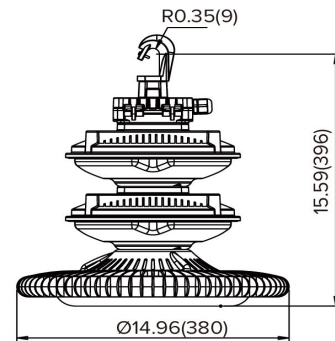
Maximum Candela = 5774.339
Located At Horizontal Angle = 5, Vertical Angle = 0
H - Horizontal Axial Candela
V - Vertical Axial Candela

200W-TYPE V (Wide Beam)



Maximum Candela = 7690.237
Located At Horizontal Angle = 5, Vertical Angle = 0
H - Horizontal Axial Candela
V - Vertical Axial Candela

Emergency Battery



SPECIFICATIONS

	GC201-60W	GC201-80W	GC201-100W	GC201-120W	GC201-150W	GC201-180W	GC201-200W
Input Wattage	63W	88W	103W	129W	165W	200W	221W
Initial Lumens	7,951	11,013	13,024	15,559	20,071	24,206	26,019
Lumens Per Watt	127	125	126	121	122	120	118
Lumen Maintenance (L70)	50,000	50,000	50,000	50,000	50,000	50,000	50,000
CRI	≥ 75	≥ 75	≥ 75	≥ 75	≥ 75	≥ 75	≥ 75
CCT (K)	4,000K/ 5,000K	4,000K/ 5,000K	4,000K/ 5,000K	4,000K/ 5,000K	4,000K/ 5,000K	4,000K/ 5,000K	4,000K/ 5,000K
Weight	6.7 kg	6.7 kg	6.7 kg	6.7 kg	6.7 kg	6.7 kg	6.7 kg

ORDERING OPTIONS

Sample Order Code: GC201-150W-P540-D1-PCC-HK-W

Family	Wattage	Factory	Optics	Color Temp.	Control	Lens	Lens Type	Mounting	Light Beam	Options
GC201	200W	P	(5) Type V	(40) 4,000K (50) 5,000K	(D1) 0-10V Dimming (D2) Motion Sensor: On/Off (D3) Motion Sensor: Dimming with Daylight Harvesting (D4) Motion Sensor: Dimming with Daylight Harvesting and Remote Programmer	(PC)PC	(C) Clear (D) Diffuse	(HK) Hook (PP) Pipe	(W) 120°	(C6) 6ft Cord (C12) 12ft Cord (Lxxxx) LX-XX NEMA Twistlock Plug (WGC) Wire Guard and Cable (EB) Emergency Back-Up Battery (480) 480V Power Supply
	180W									
	150W									
	120W									
	100W									
	80W									
60W										